

10A | 60PSI

NOCO® AIR10



ULTRAFAST® PORTABLE AIR COMPRESSOR.

UNPARALLELED SPEED.

NOCO AIR has been tested and proven to operate longer and inflate faster than leading competitors. Inflate flat tires from 0 to 40 psi in under 4 minutes.

COMPACT DESIGN.

Integrated hose clips, dedicated slots for accessories, and effortless power-cord storage allow AIR to be quickly and easily stored or used.

PREMIUM BUILD.

NOCO AIR is built with solid aluminum, heavy-duty powder coat, and reinforced plastic.

LED FLASHLIGHT.

Provides a tactical-grade experience with long-range, bright illumination, controllable luminosity, and emergency modes.



NOCO®

30339 Diamond Parkway, #102
Glenwillow, OH 44139 | USA
1.800.456.6626

no.co

ULTRAFAST[®] INFLATION



SMART PRESSURE AUTO-SHUTOFF

AIR automatically shuts off upon reaching the desired pressure. Utilizing a unique algorithm — AIR achieves precise accuracy even at higher pressure.



Adapters

Integrated Hose Clip

138 W
MOTOR POWER

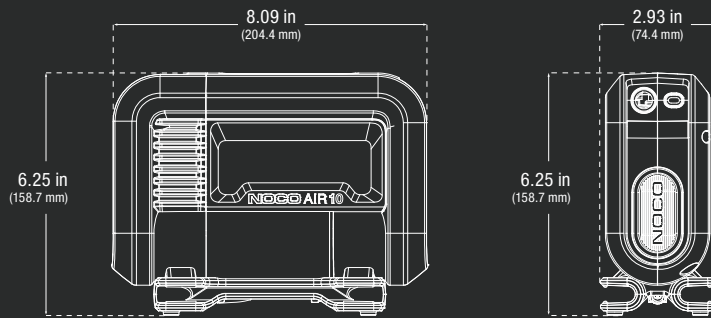
3.8 MIN 0-40 PSI
TIME TO INFLATE *205-65R16 95H TIRE

36 SLPM
FLOW RATE

INTUITIVE INTERFACE.



WHAT'S IN THE BOX



User Guide &
Warranty Information



Microfiber Storage Bag

AIR10 Portable Air Compressor w/
3ft Braided Hose & 10ft Power Cord
+ 12V Cigarette Lighter Plug

- Needle Adapter
- Presta Valve Adapter
- Inflatable Toy Adapter

TOTAL VERSATILITY.

With its rugged portable design, integrated cord management, dedicated slots for accessories, and ultra-compact size, it can easily be stored - and ready to take on anything.

TECHNICAL SPECIFICATIONS

| | |
|---|---|
| MAX AIRFLOW AT 0 PSI: | 36 SLPM |
| MAX PRESSURE: | 60 psi / 4.14 bar / 413.68 kPa |
| MOTOR RATING: | 138W |
| MOTOR MAX CURRENT DRAW: | 12A |
| DUTY CYCLE: | 25 min @ 30PSI on time/35 min off time |
| MANUAL MODE DUTY CYCLE: | 5 min on time/30 min off time |
| APPROXIMATE INFLATION TIME at 13.8V (0-40 PSI): | 3.8 min +/- 10% with 205-65R16 95H Tire |
| AIR HOSE LENGTH: | 3 ft |
| POWERCORD LENGTH: | 10 ft |
| WIRE GAUGE: | 18 AWG |
| POWER TYPE: | 12V Plug |
| IP RATING: | IP55 |
| COOLING: | Natural Convection |
| OPERATING TEMPERATURE: | -4° to 122° F (-20° to +50° C) |
| STORAGE TEMPERATURE: | -4° to 122° F (-20° to +50° C) |
| WEIGHT: | 5.39 lbs (2.44 kg) |
| VOLUMETRICS: | Retail Packaging: Dimensions: 10.83" x 4.41" x 8.54" Weight: 7.30 lbs UPC: 0-46221-23002-4 |
| | Master Carton: Dimensions: 11.06" x 18.50" x 11.89" Weight: 31.72 lbs Quantity: 4 ITF-14: 10046221230021 |
| | Inner Carton: Dimensions: 11.34" x 8.98" x 5.04" Weight: 7.63 lbs |
| | Units Per Pallet: NA: 128 units AU/UK/HP/JP: 96 units EU/ND/RM/FN: 72 units |

NOCO

30339 Diamond Parkway, #102
Glenwillow, OH 44139 | USA
1.800.456.6626

no.co

